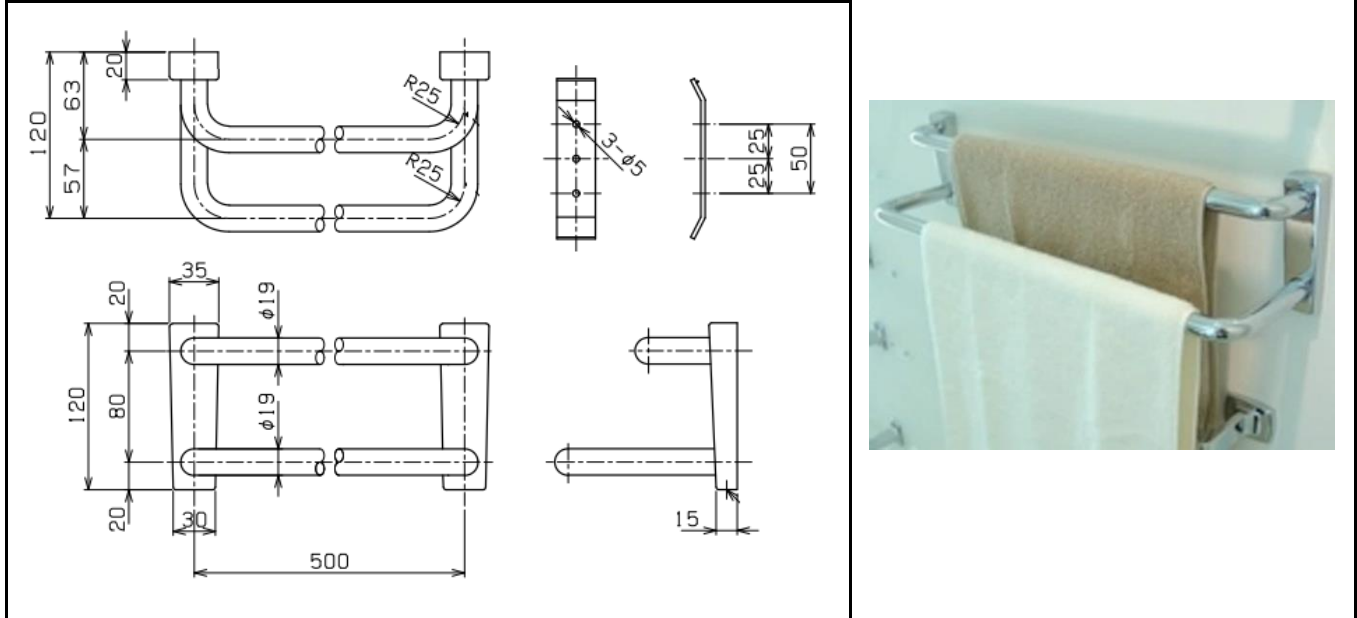




PROJECT		REF		REV	ITEM CODE	
LOCATION		DATE			PAGE	

SANITARY WARE SPECIFICATION SHEET

Item Descriptions	Le Bain (Japan) Bright chrome plated wall mounted double towel bar	Illustration/ Drawing
Dimensions	L530 x W120 x H120 mm	
Dia.	Ø19 mm	
Model	R5203-500	
Finish	Bright Chrome Plated	
Material	Stainless Steel 304	
Brand	Le Bain (Japan)	
Source	Acme Sanitary Ware Co. Ltd Mr. Eric Wong/ Mr. Wilson Hung	
Contact Tel/Fax	(852) 2388-7171 / (852) 2710-8012	
E-mail	acme@acmesanitary.com.hk	
Website	www.acmesanitary.com.hk	



Note:

** All information of the above is for the reference only. No prior notice is made if any changes.*